

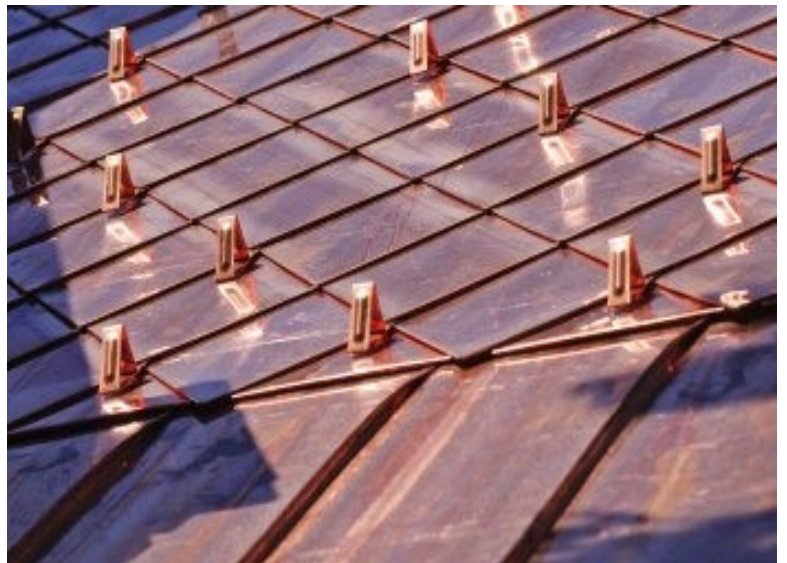


# FINE METAL

R O O F T E C H



## **Fine Metal Shingle Catalog 2010**



## Congratulations on your choice of our premier fine metal interlocking shingles!

Made in the traditional German style, our shingles can be seen gracing some of Europe's most important buildings; castles, cathedrals and new and historic architectural wonders.

The purchase of our shingles is a statement of your immaculate design taste, your commitment to building green and your understanding of proper roof engineering.

Our shingles come in a variety of size and angle options and can be built to reflect your roof pitch for optimum design flexibility.

Unless otherwise specified, our diamond shingles come in a 72 degree standard angle. ***If you wish to change the angle, we'll make the shingles to your exact specifications at no additional cost!*** We'll also help you plan which shingles will best suit your roof and your needs. Again, this service is complimentary.

The installation instructions included in this catalog are very straightforward and our system is quite intuitive and easy to install, however should you have more in-depth questions, we can get you in touch with a specialist who will help you to any extent you require. You can be assured the information you receive will ensure a lasting and beautiful result when heeded.

If you have any questions, please call 801-648-9274.

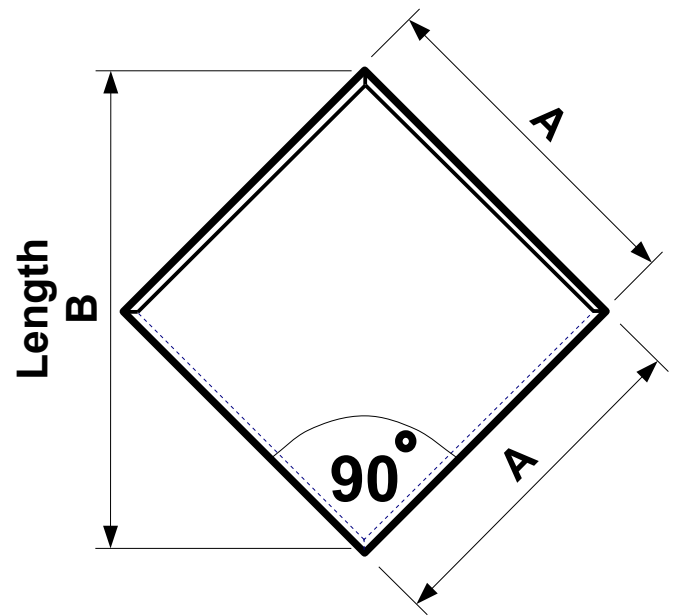
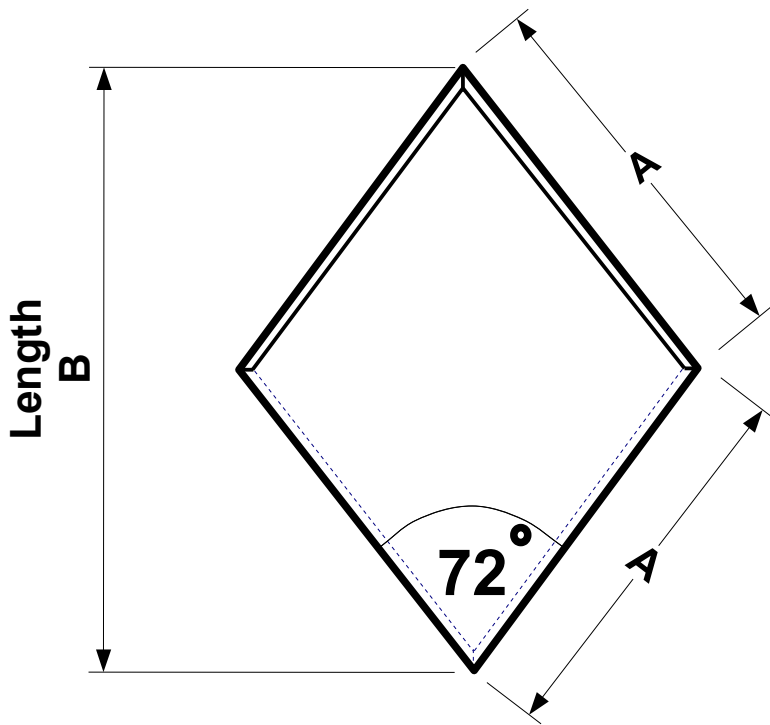
Email:

[sales@finemetalrooftech.com](mailto:sales@finemetalrooftech.com)

[support@finemetalrooftech.com](mailto:support@finemetalrooftech.com)

Enjoy the beauty and durability of this truly magnificent system!

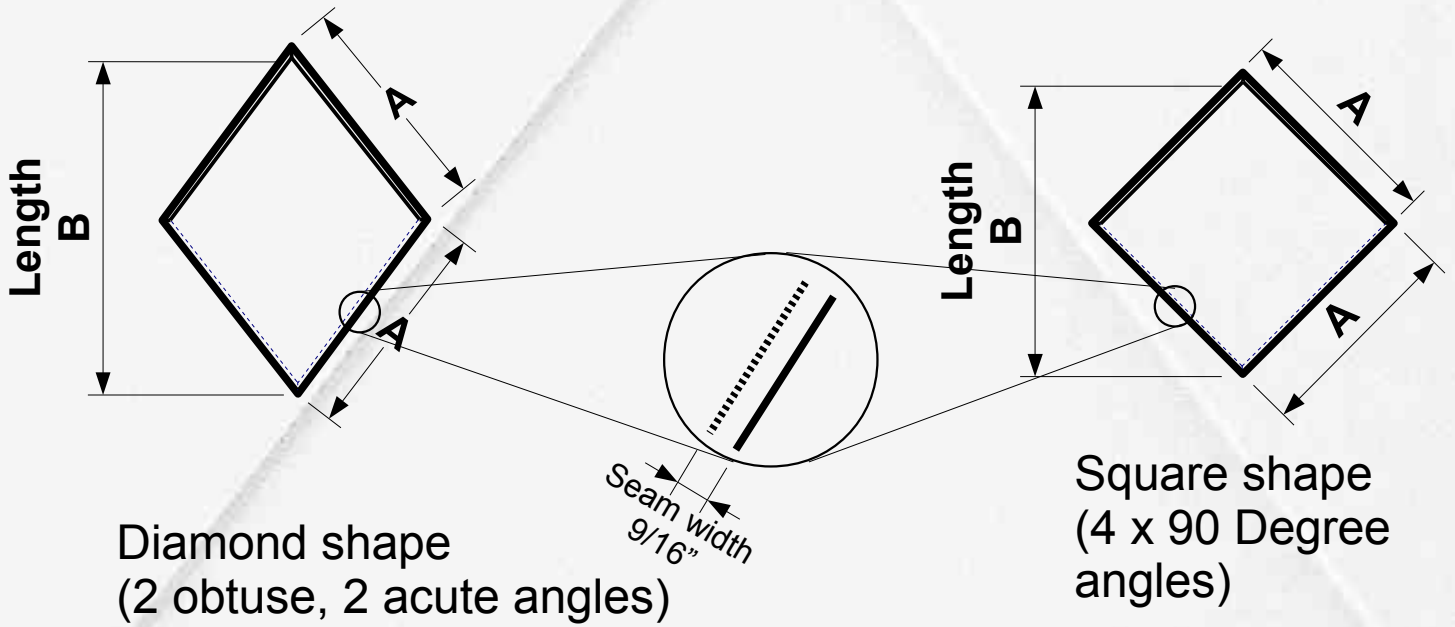




Diamond shape  
 (2 obtuse, 2 acute angles)  
 Standard with 72 degree angle.  
 Angle customizable without extra charge.

Square shape  
 (90 Degree angle)

**Available shapes.**  
**Sizes and angles are customizable.**

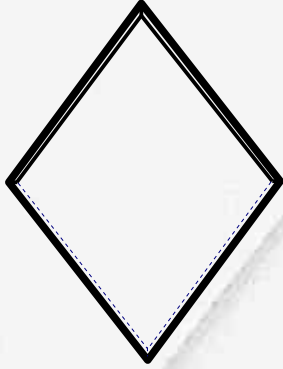


Measurements

Size	A (roof cover size)	B
8 inch	7"	10-1/2"
10 inch	9-1/4"	14"
12 inch	11-1/4"	17-1/4"
14 inch	13-1/2"	20-1/2"
15 inch	14-1/2"	22-1/4"
18 inch	17-1/2"	27-1/2"
20 inch	19-3/4"	30-1/2"

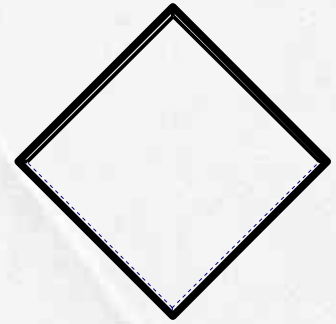
Measurements

Size	A (roof cover size)	B
8 inch	6-3/4"	11-1/4"
10 inch	8-3/4"	14"
12 inch	10-3/4"	17"
14 inch	12-3/4"	19-3/4"
15 inch	13-3/4"	21-1/4"
18 inch	16-3/4"	25-1/2"
20 inch	18-3/4"	28-1/4"



- Roof cover per shingle
- Shingle needed per Square

Size	Cover per Shingle (Sq.Ft.)	Need per Square (pieces)
8 inch	0.30	324
10 inch	0.52	191
12 inch	0.79	126
14 inch	1.15	86
15 inch	1.33	75
18 inch	1.99	50
20 inch	2.52	40

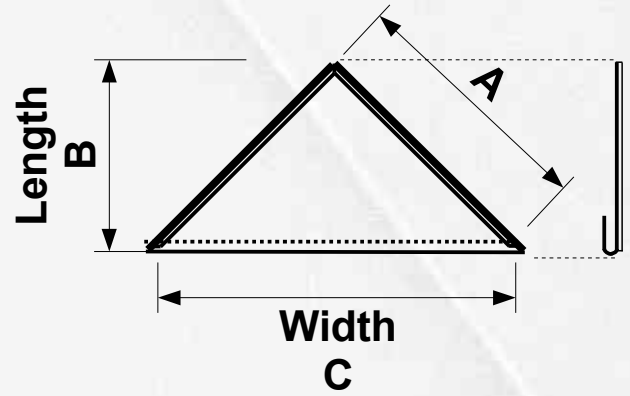
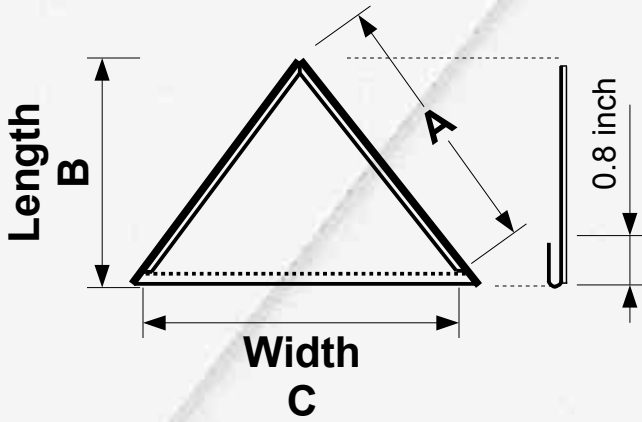


- Roof cover per shingle
- Shingle needed per Square

Size	Cover per Shingle (Sq.Ft.)	Need per Square (pieces)
8 inch	0.27	371
10 inch	0.47	212
12 inch	0.73	137
14 inch	1.04	96
15 inch	1.22	82
18 inch	1.83	54
20 inch	2.31	43



## Drip starter shingle



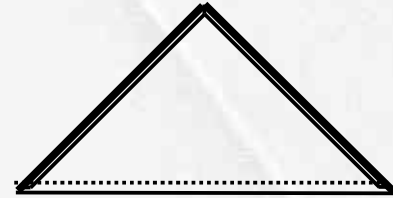
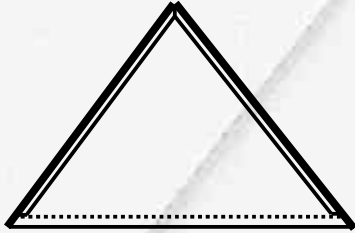
### Measurements

Size	A	B	C
8 inch	7"	7"	8-3/8"
10 inch	9-1/2"	8"	10-7/8"
12 inch	11"	9"	13-1/4"
14 inch	13"	10-3/4"	15-7/8"
15 inch	14-1/2"	11-1/2"	17"
18 inch	17-1/2"	14-1/4"	20-5/8"
20 inch	19-1/2"	16"	23-1/4"

### Measurements

Size	A	B	C
8 inch	6-3/4"	5-1/2"	11-1/4"
10 inch	8-3/4"	7"	14"
12 inch	10-3/4"	6-1/2"	17"
14 inch	12-3/4"	10"	19-3/4"
15 inch	13-3/4"	10-1/2"	21-1/4"
18 inch	16-3/4"	12-3/4"	25-1/2"
20 inch	18-3/4"	14"	28-1/4"

## Drip starter shingle



- Roof cover per shingle
- Shingle needed per linear feet

Size	Cover per shingle (Sq.Ft.)	Need per 10 linear feet (pieces)
8 inch	0.15	14.3
10 inch	0.26	11
12 inch	0.39	9
14 inch	0.57	7.5
15 inch	0.66	7
18 inch	0.98	5.8
20 inch	1.24	5.1

- Roof cover per shingle
- Shingle needed per linear feet

Size	Cover per shingle (Sq.Ft.)	Need per 10 linear feet (pieces)
8 inch	0.13	13.6
10 inch	0.24	10.3
12 inch	0.36	8.3
14 inch	0.52	6.9
15 inch	0.61	6.4
18 inch	0.91	5.2
20 inch	1.15	4.6



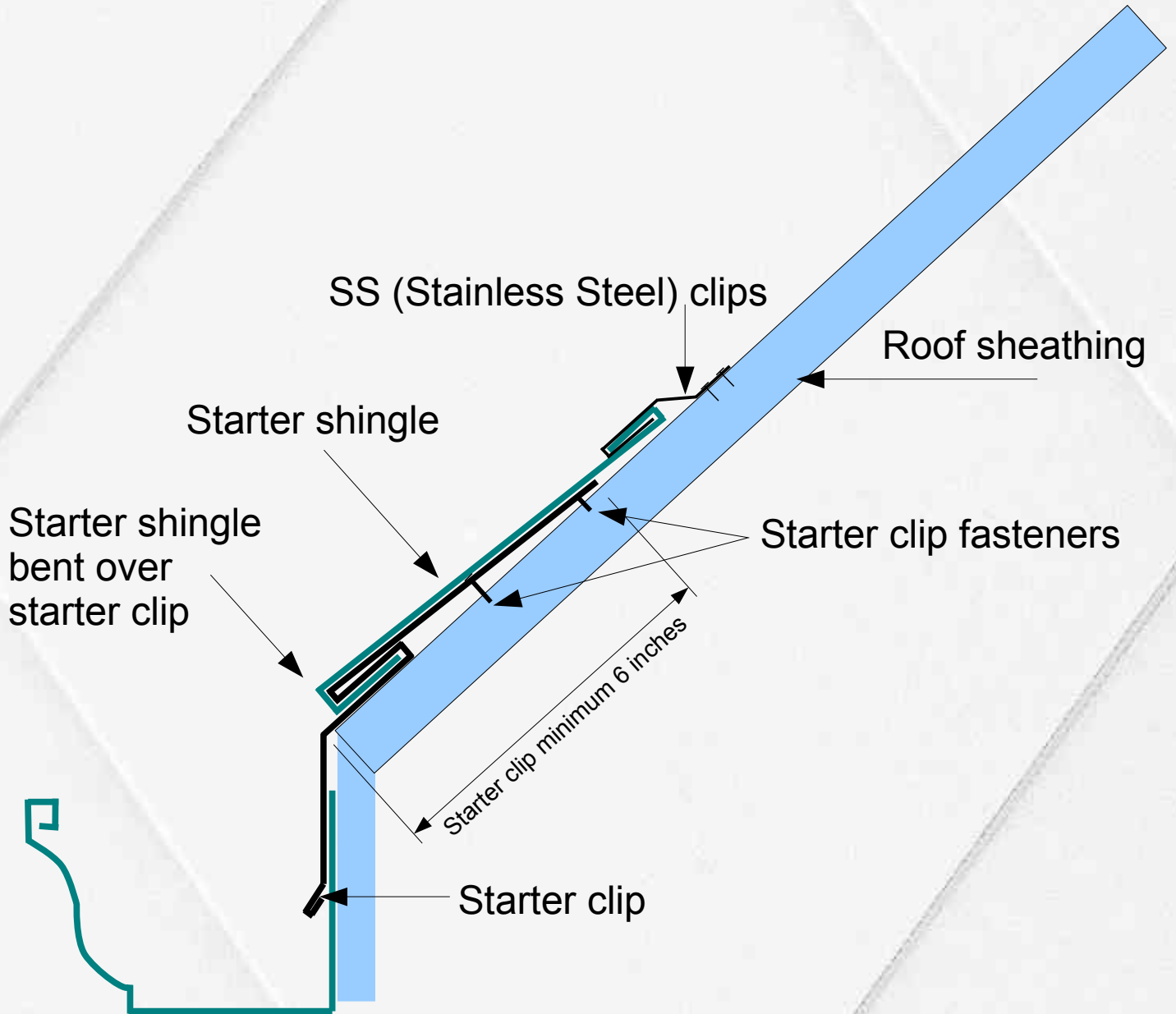
# FINE METAL

R O O F T E C H

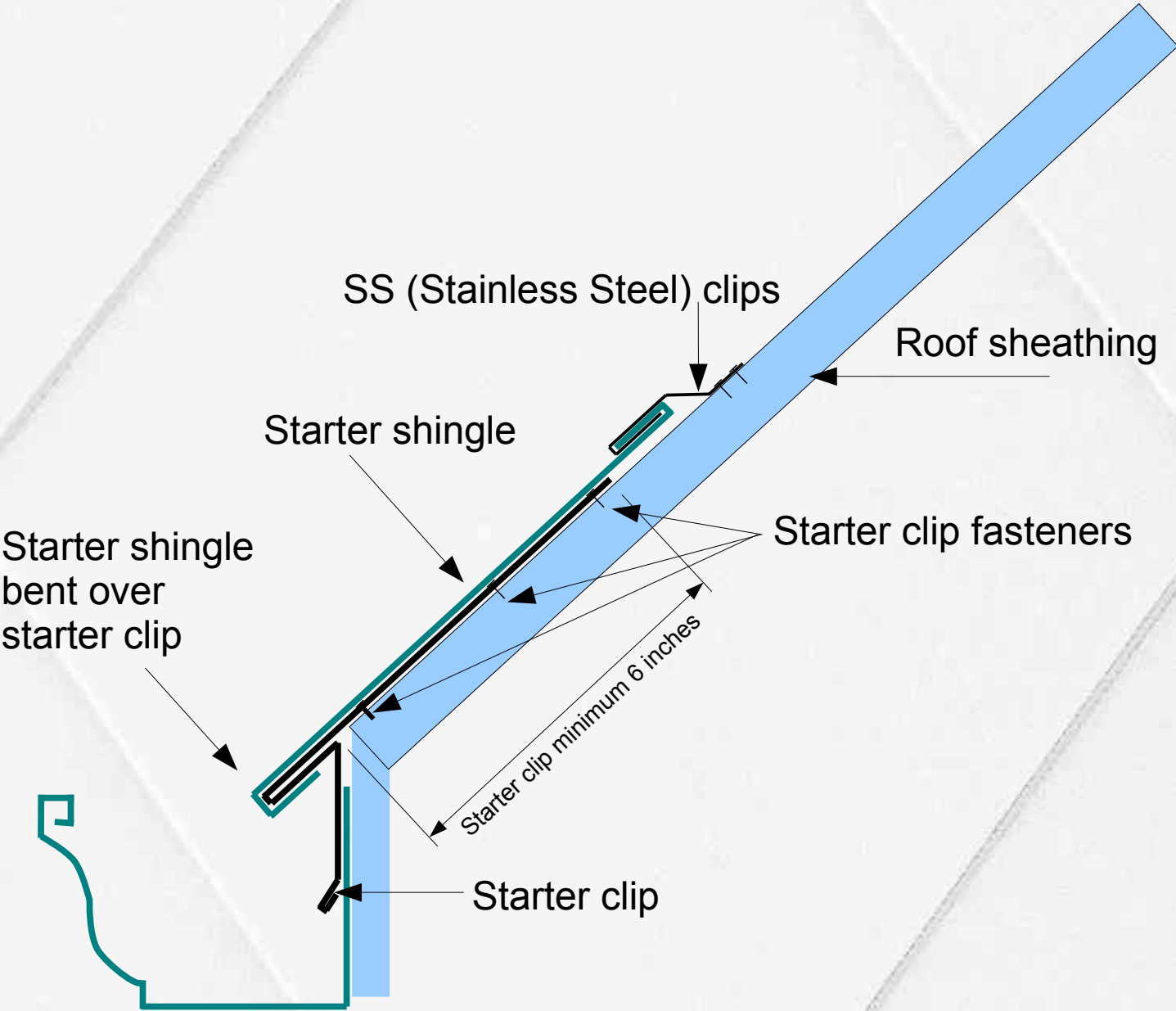




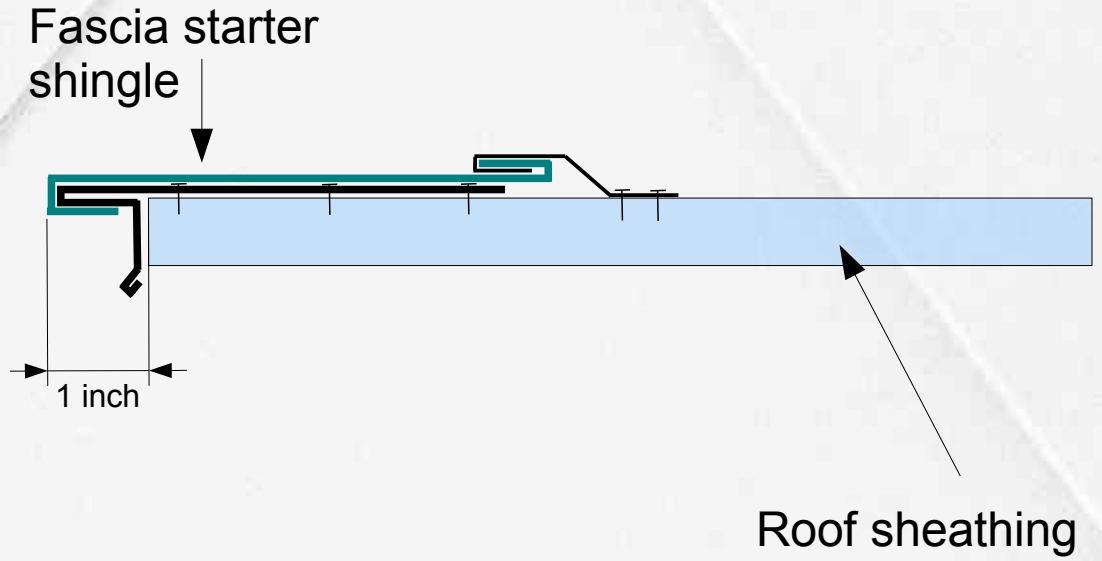
# Drip edge detail for high sloped roofs.



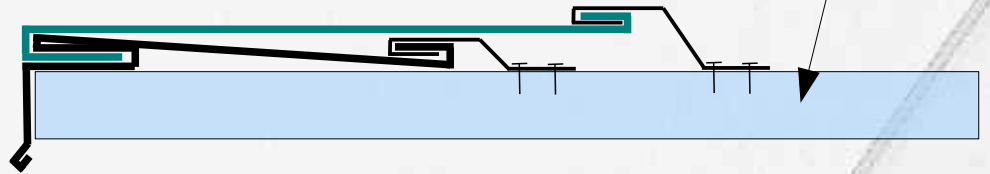
Drip edge detail for high and low sloped roofs.



**Fascia/rake  
With overhang.**



**Fascia starter  
shingle**



**Smooth Fascia/rake.**

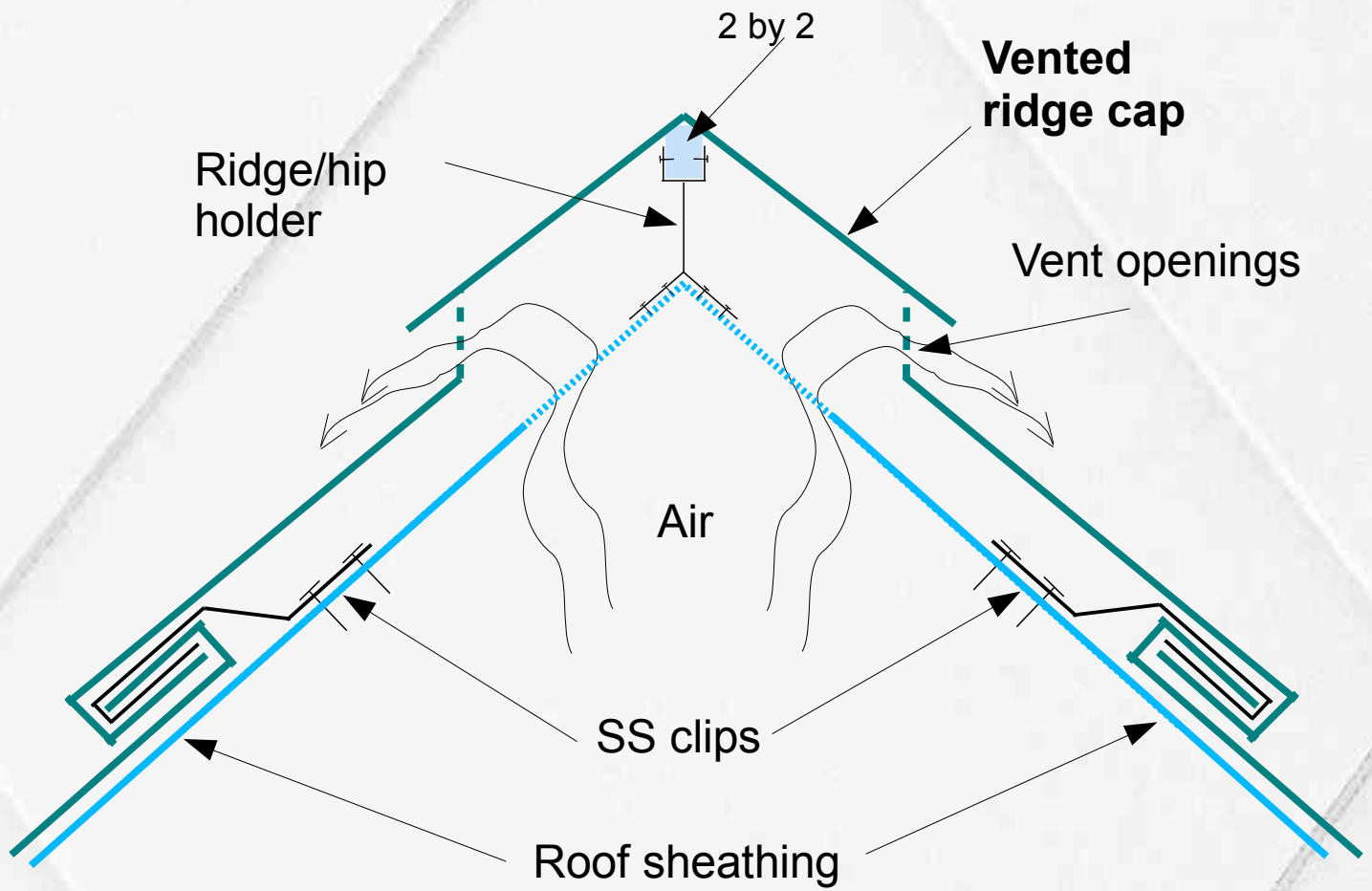


# FINE METAL

R O O F T E C H



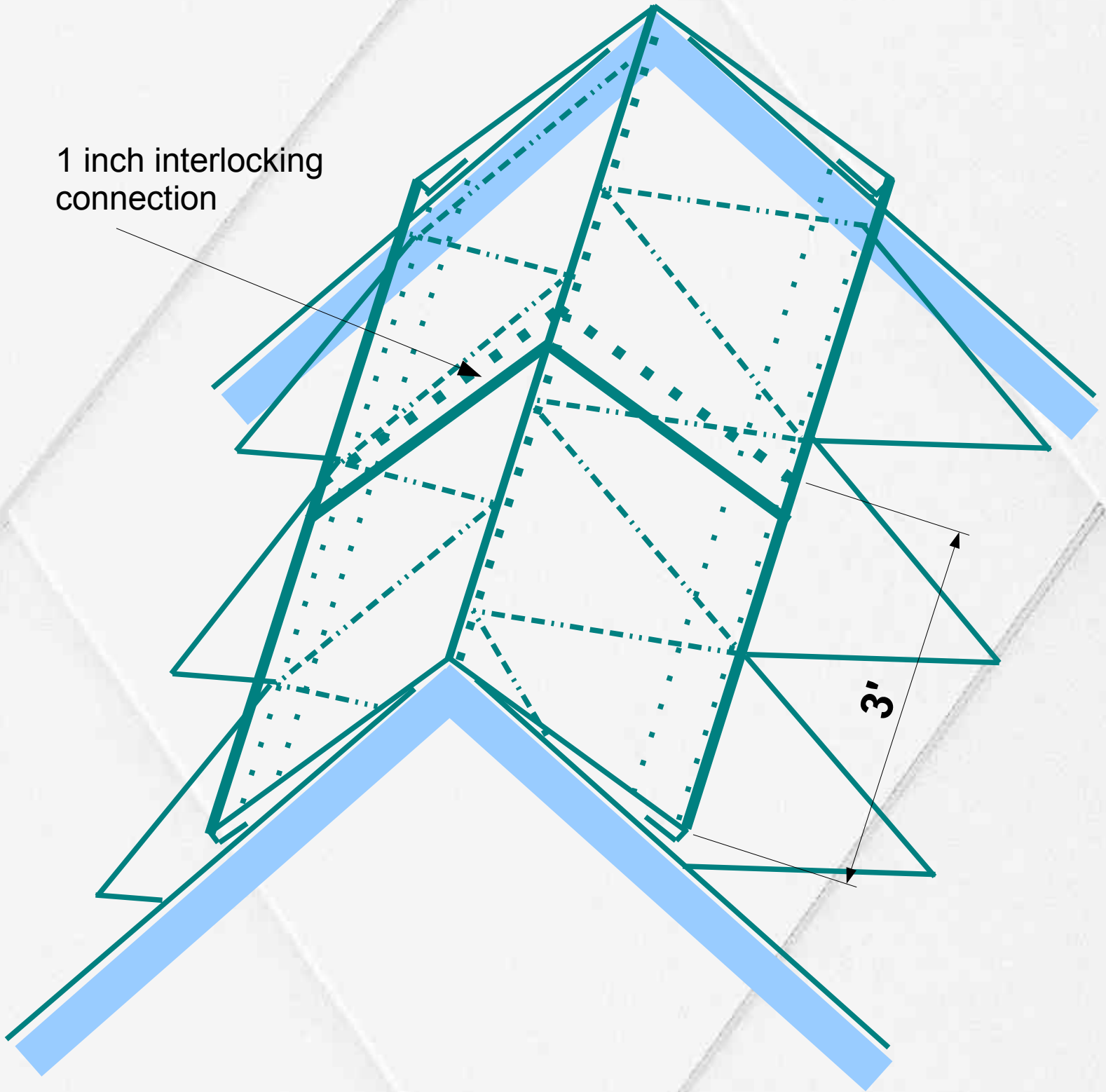
# Seamed and vented ridge or hip cap





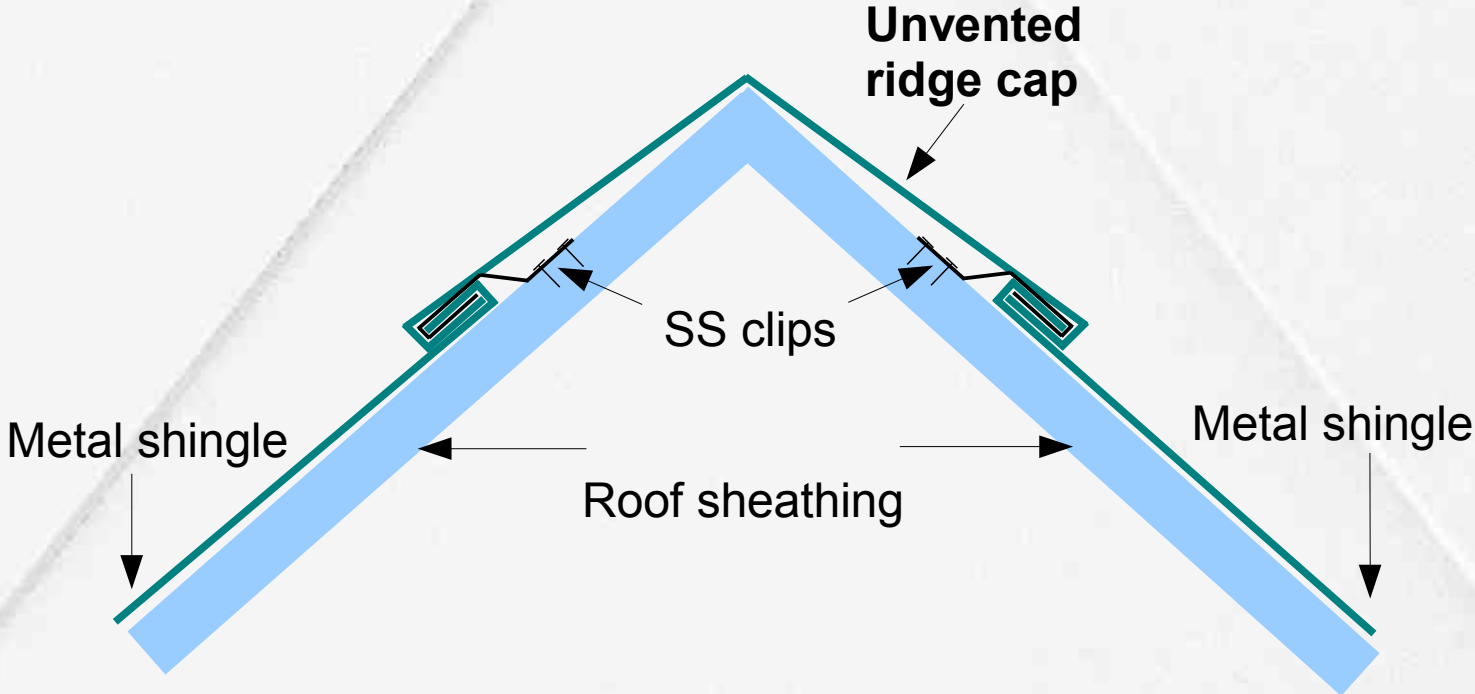
# ***Slate Style Ridge or Hip Cap***

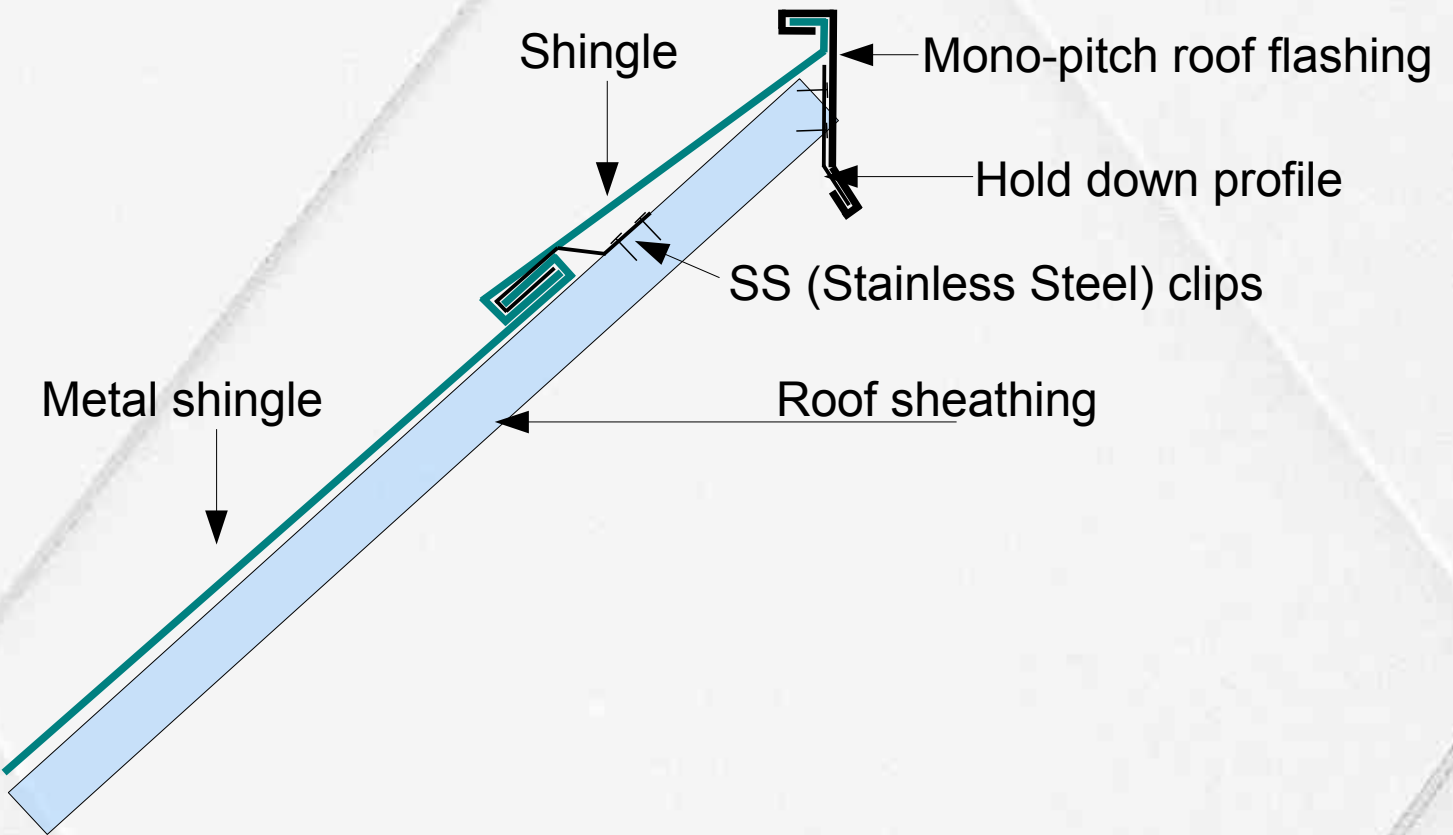
1 inch interlocking connection

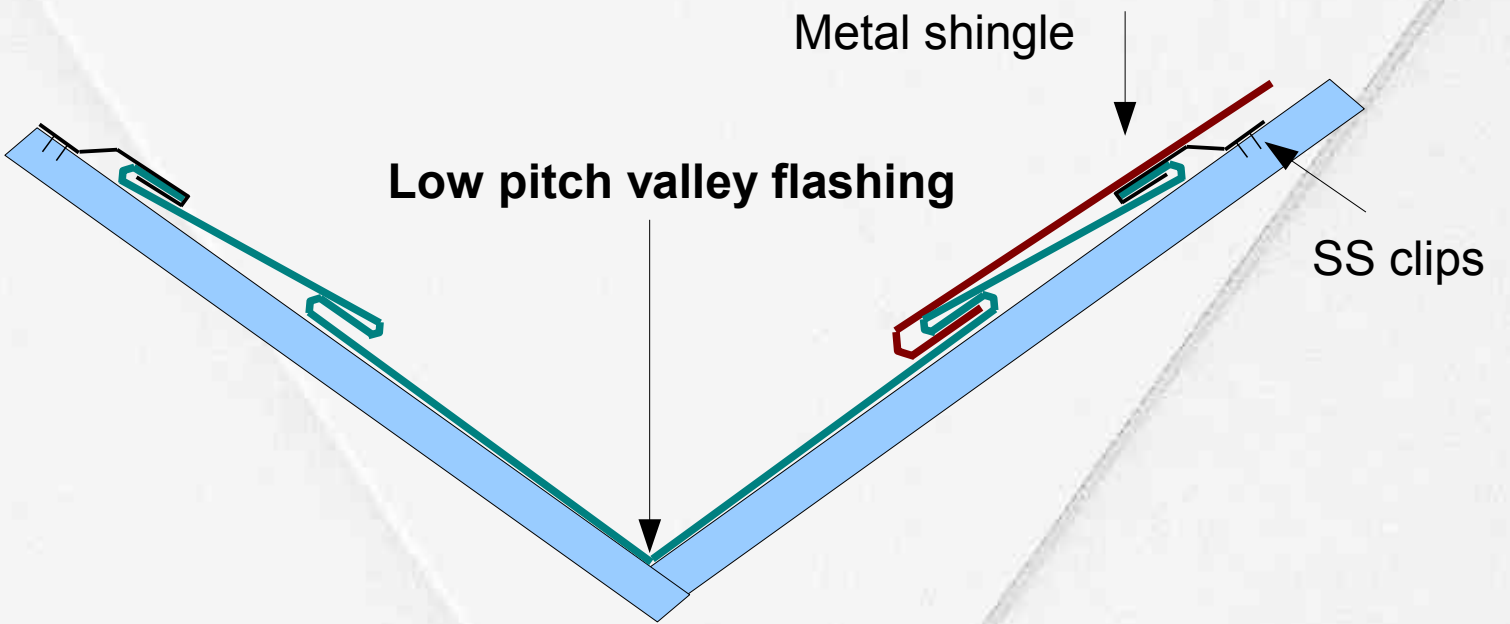
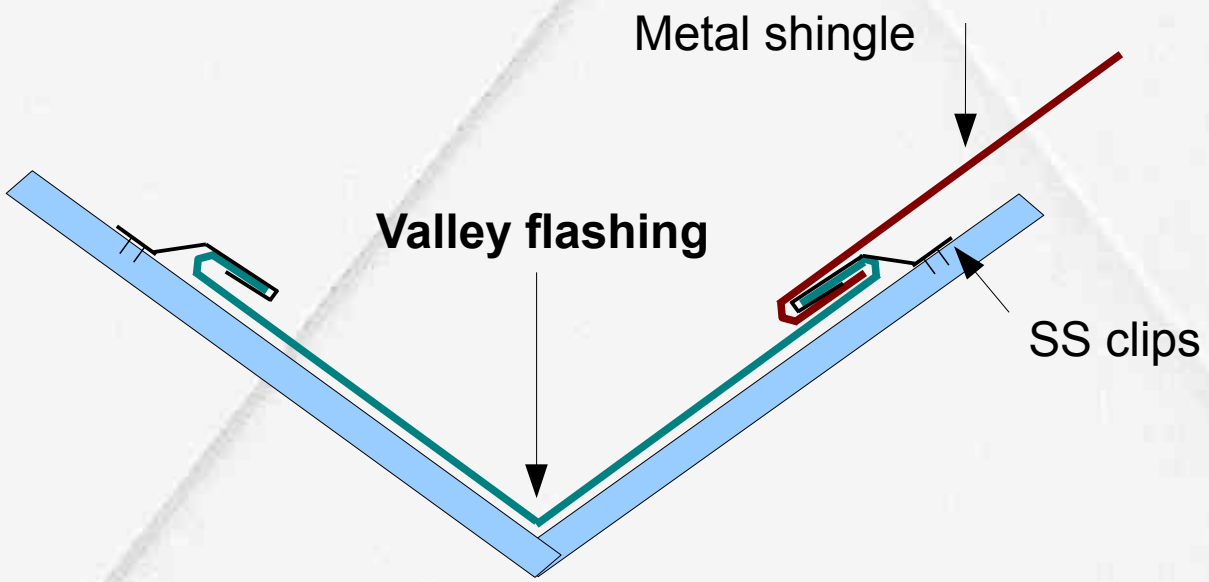




# *Seamed ridge or hip cap*









Metal shingles, siding, stucco  
or other wall cover

Counter flashing

Face flashing

Metal shingles

SS clips

Roof sheathing

Wall / chimney / dormer etc.

Wall / chimney / dormer etc.

Metal shingles, siding, stucco  
or other wall cover

Counter flashing

Wall flashing

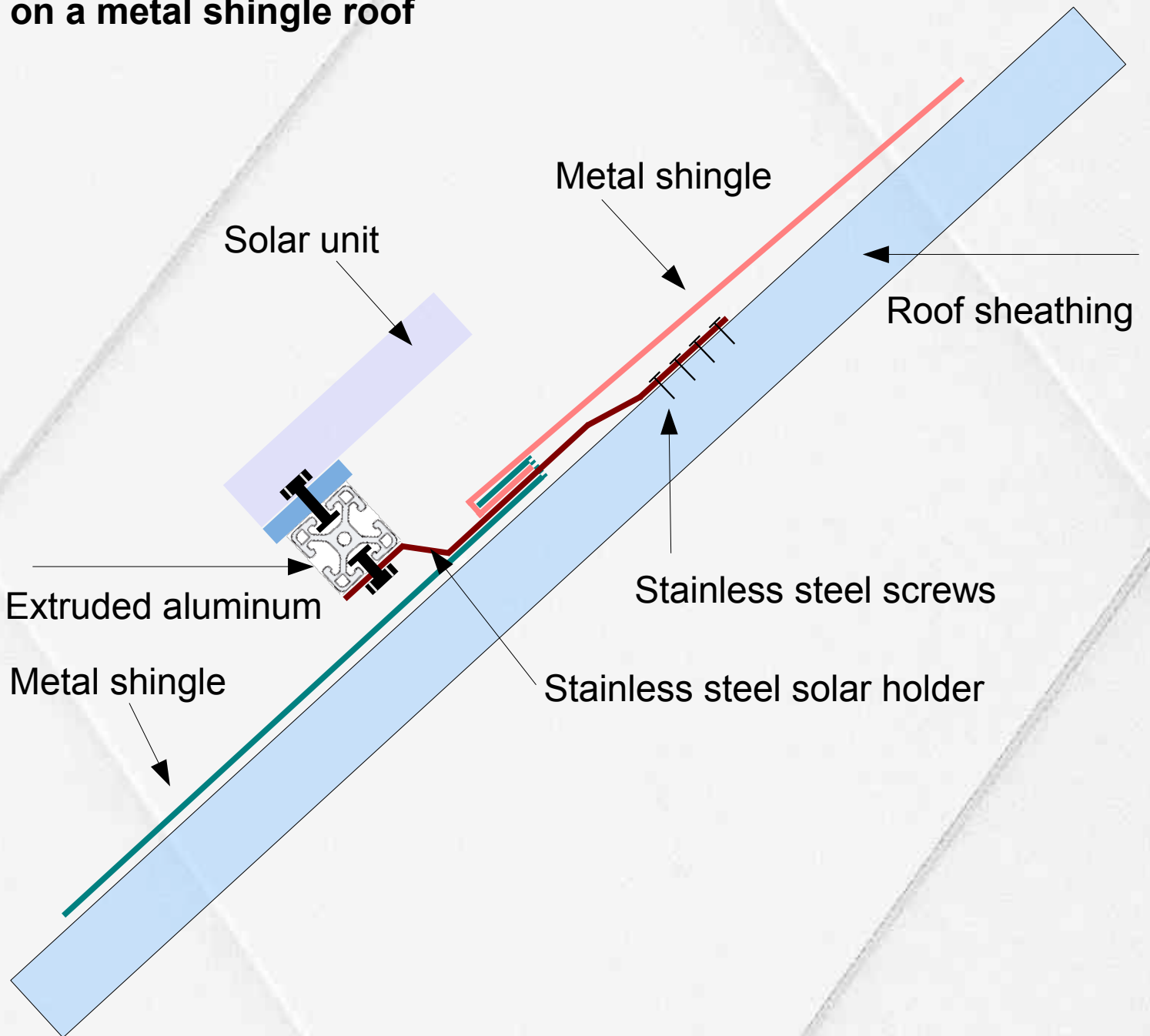
Metal shingles

Roof sheathing

SS clips

# On roof mounted solar holder

Installing solar or photo voltage  
on a metal shingle roof





Most of the time solar or photo voltage units are made of aluminum. Our stainless steel solar holder system allows you to install these units on copper roofs as well without material

contact problems.  
NO flashing necessary!  
Saves money!  
Therefore  
NO leaky valleys etc.  
EVER!



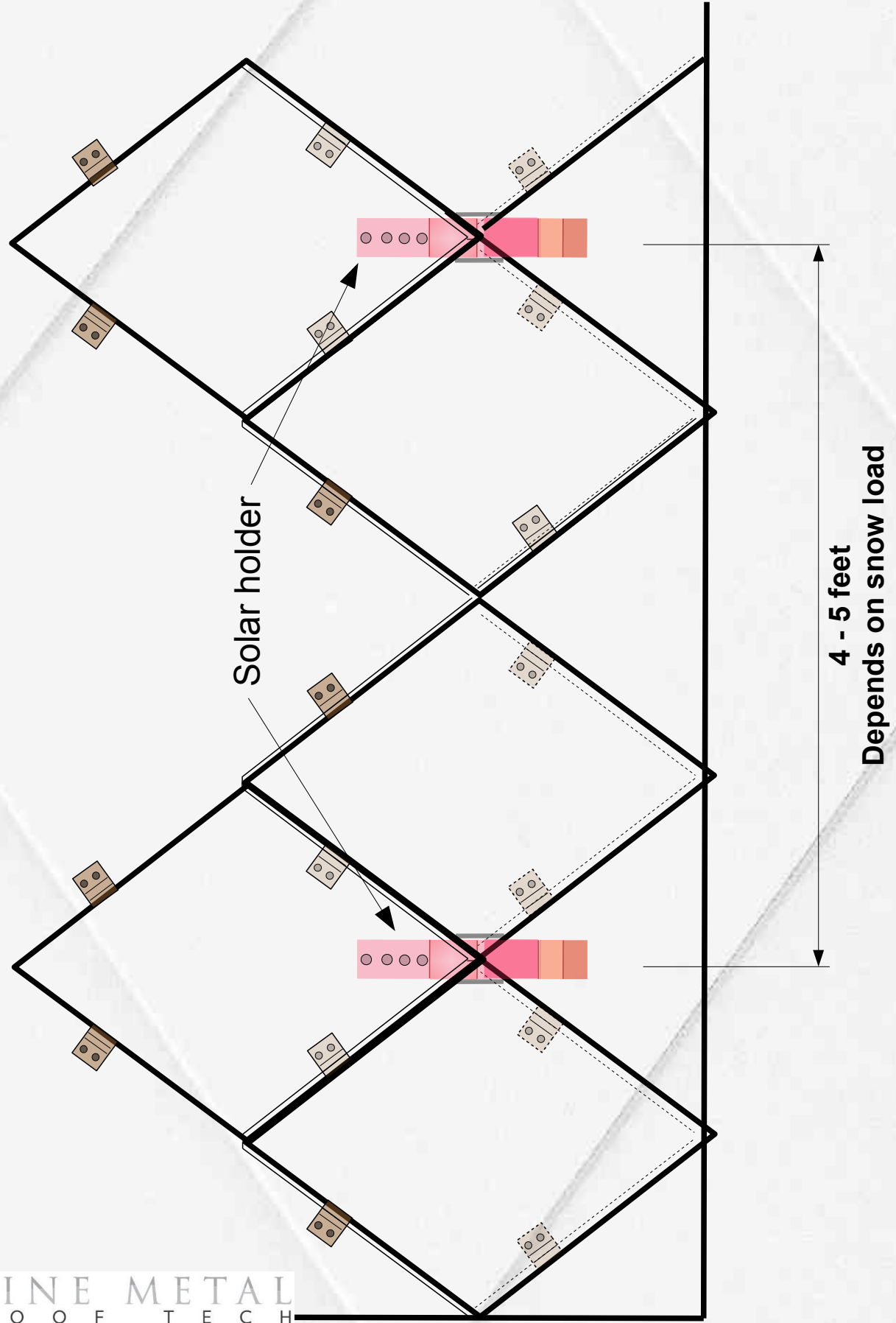
The stainless steel material is perfect to separate aluminum from copper. The aluminum frame of the solar units will never come in contact with the copper roofing material.



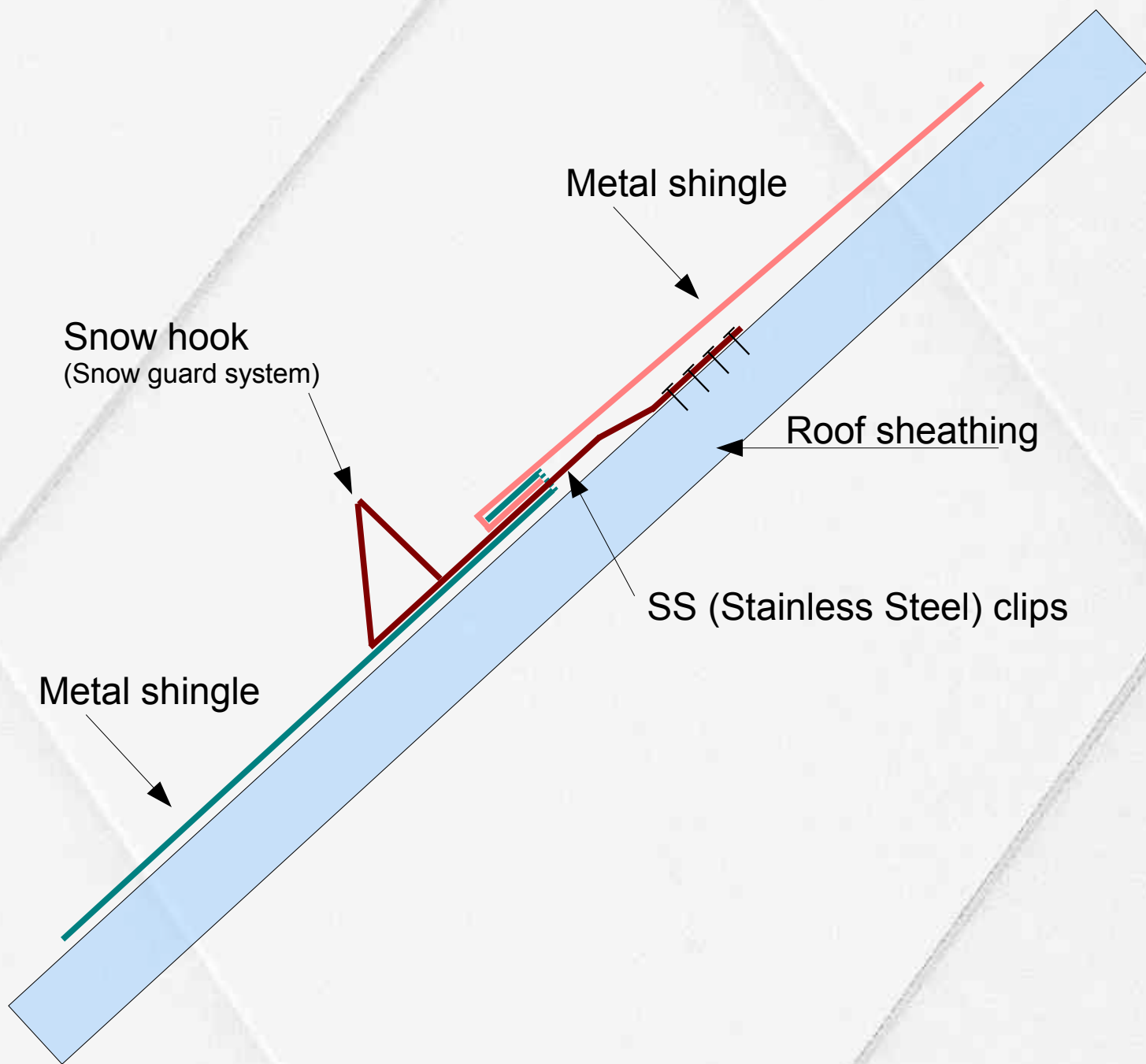
Very easy to install, too!  
In case of a broken solar panel easy exchange of panels.

This system has been in widespread use for many years in Germany!

# Solar holder placement



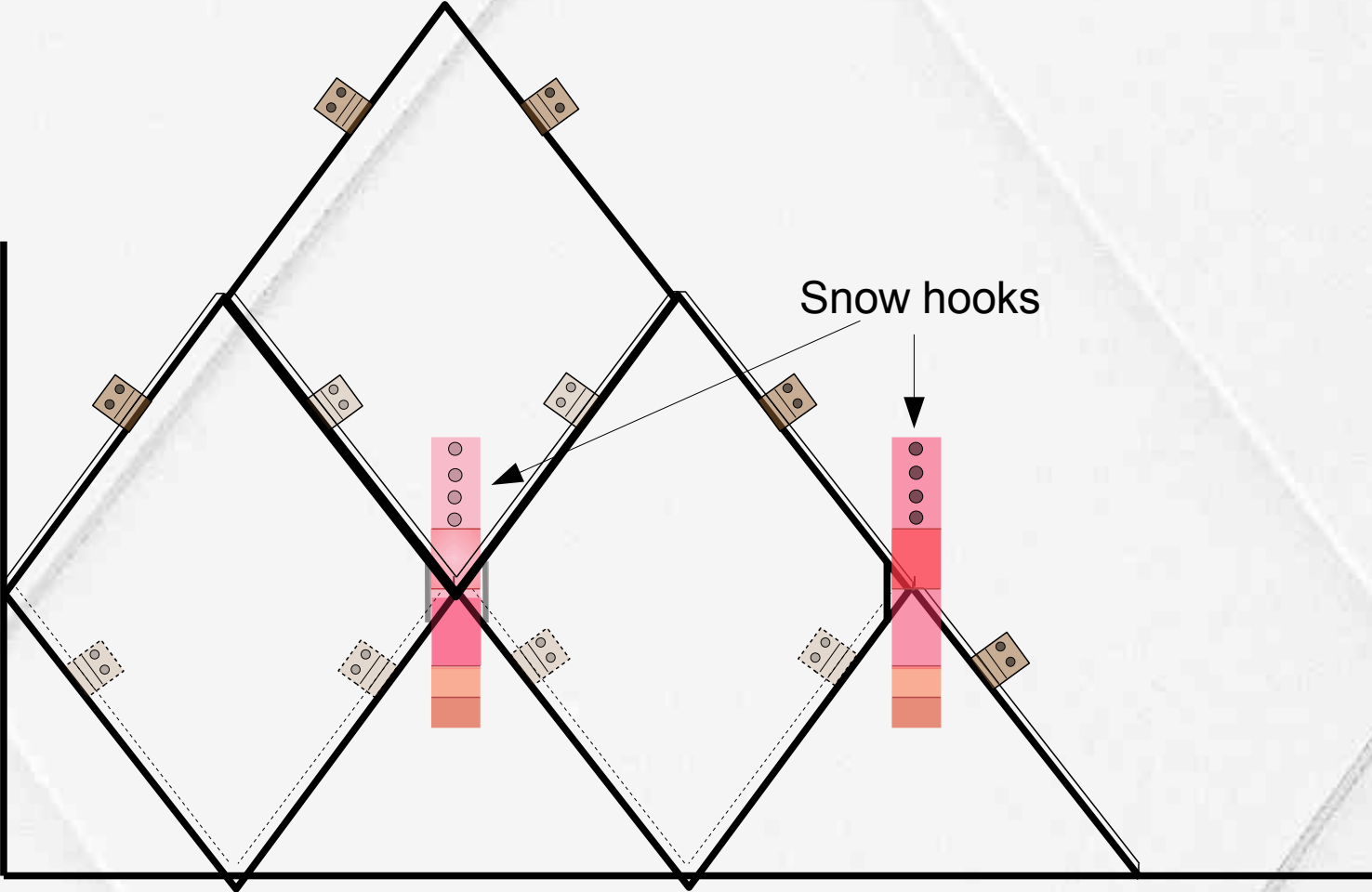
# Installing snow hooks on a metal shingle roof







# Snow hook placement



## Possible layouts for roofing

- The diamond pattern



Minimum 4 by 12 roof pitch required

Water flow

- The laying diamond pattern



Minimum 10 by 12 roof pitch required

Water flow



## Possible layouts for wall covering/siding

- Slate style wall cover (siding)



NO roofing application in this pattern. Only wall cover/siding.

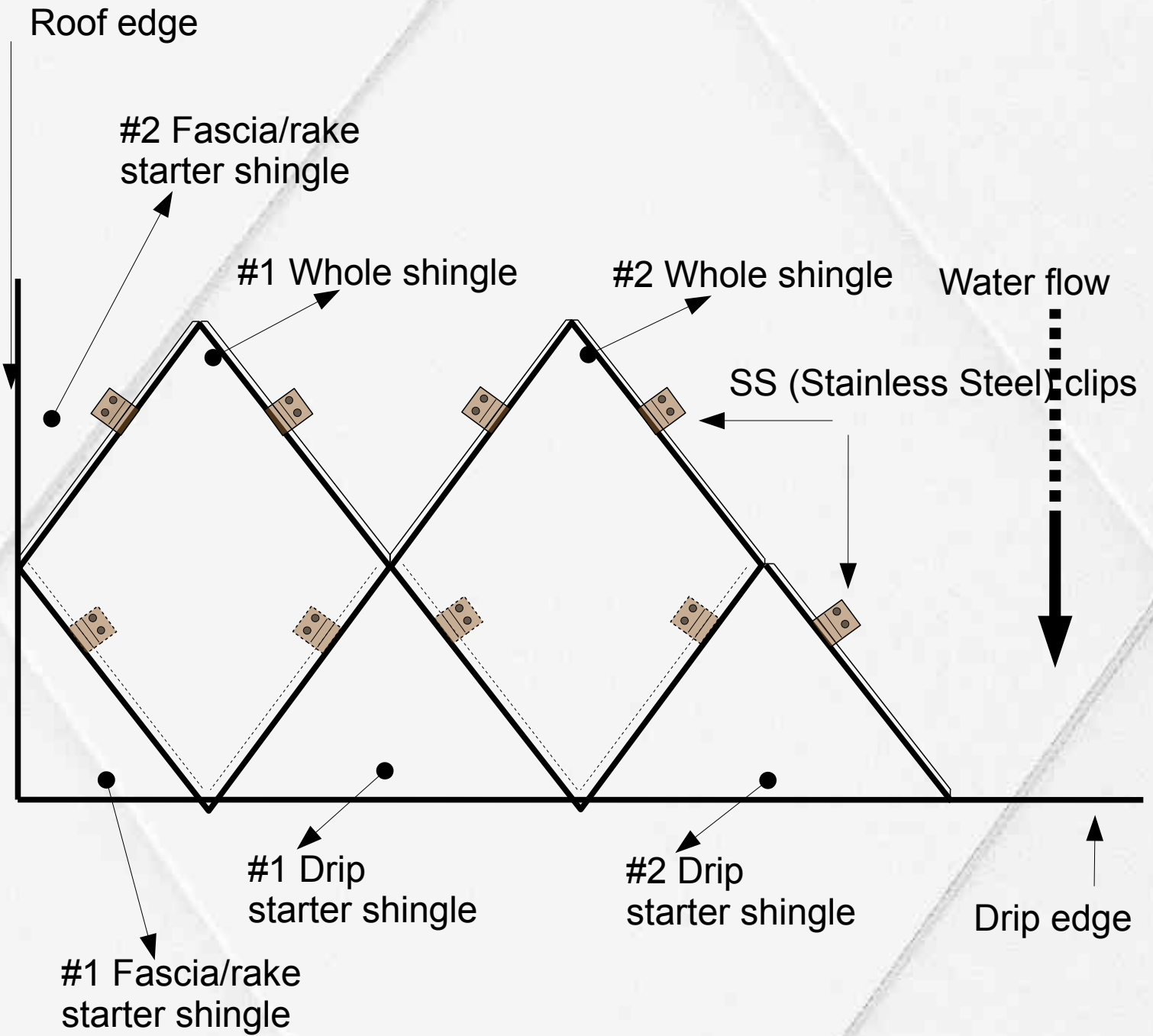
# Possible layouts for wall covering/siding

- Straight style wall cover (siding)



NO roofing application in this pattern. Only wall cover/siding.

# Layout planning



Installing the shingles for the first two rows:

- Install starter clip,
- Install fascia/rake flashing
- Install #1 Fascia/rake starter shingle
- Install #1 Drip starter shingle
- Install #1 Whole shingle
- Install #2 Drip starter shingle
- Install #2 Whole shingle
- Install #3 #4 #5 etc.

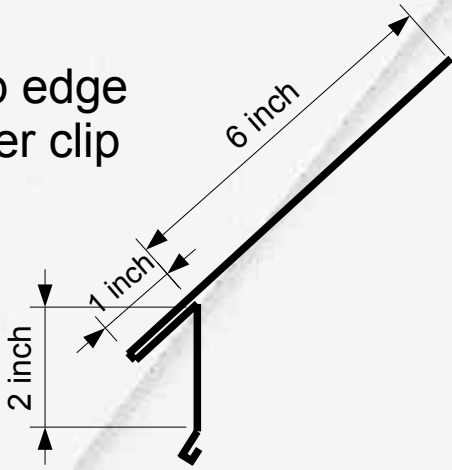
Installing the third, fourth etc. rows

- Install #2 #3 #4 Fascia/rake shingles
- Install #3 #4 #5 Whole shingles etc.



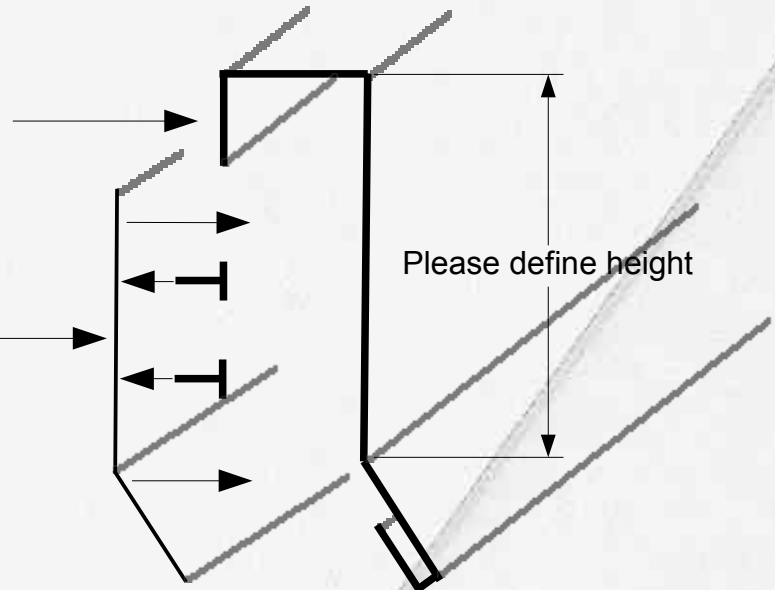
# Available roof flashings.

- Drip edge  
Starter clip



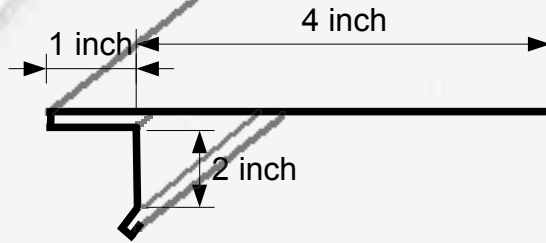
- Mono-pitch roof flashing

- Hold down profile

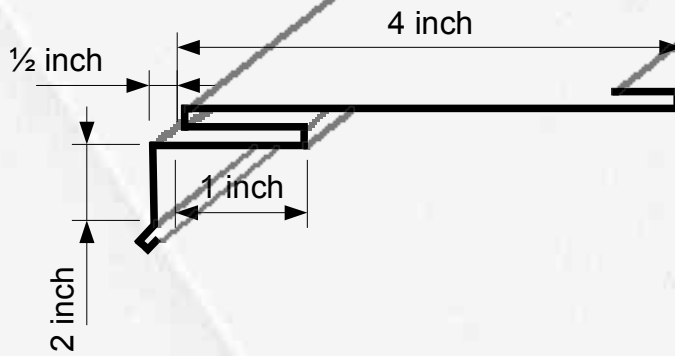


# Available roof flashings.

**- Fascia/rake  
with overhang**



**- Smooth  
Fascia/rake**







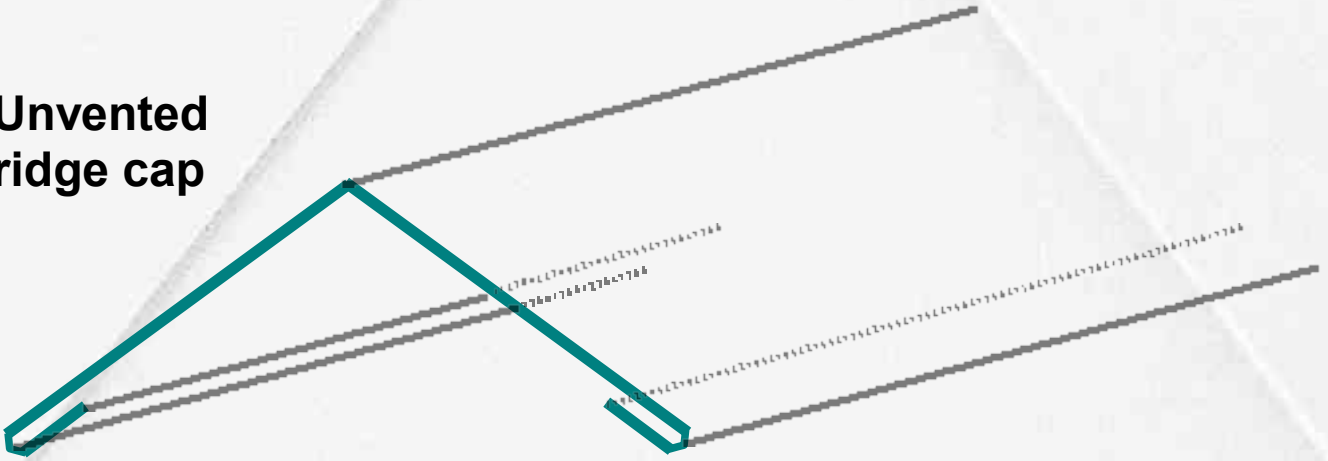
# FINE METAL

R O O F T E C H

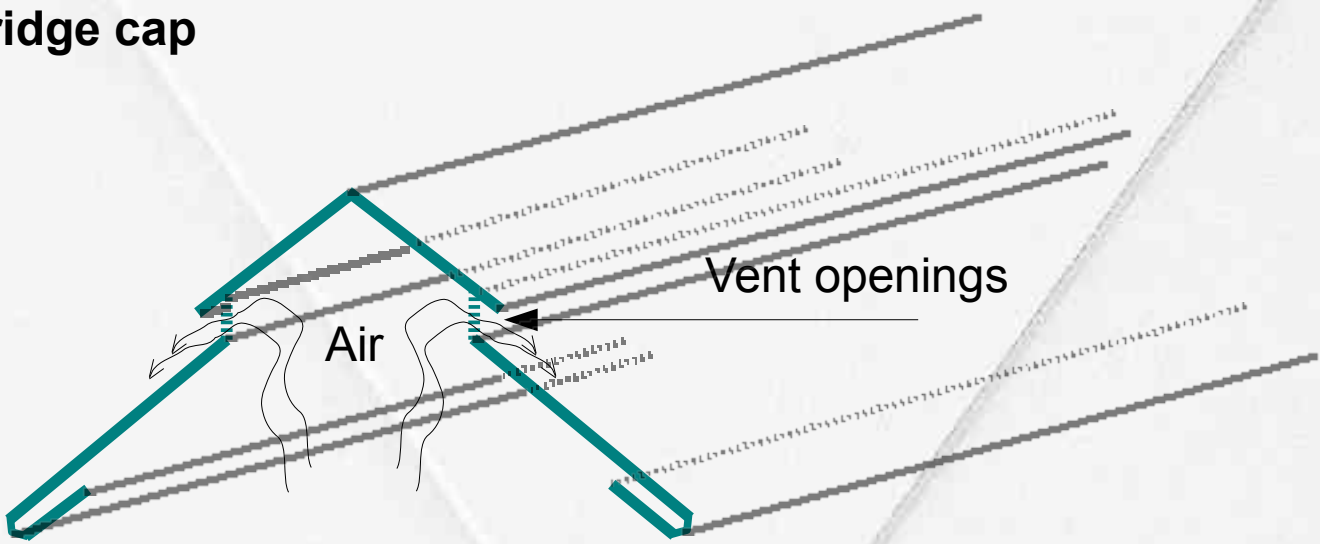


## Available roof flashings.

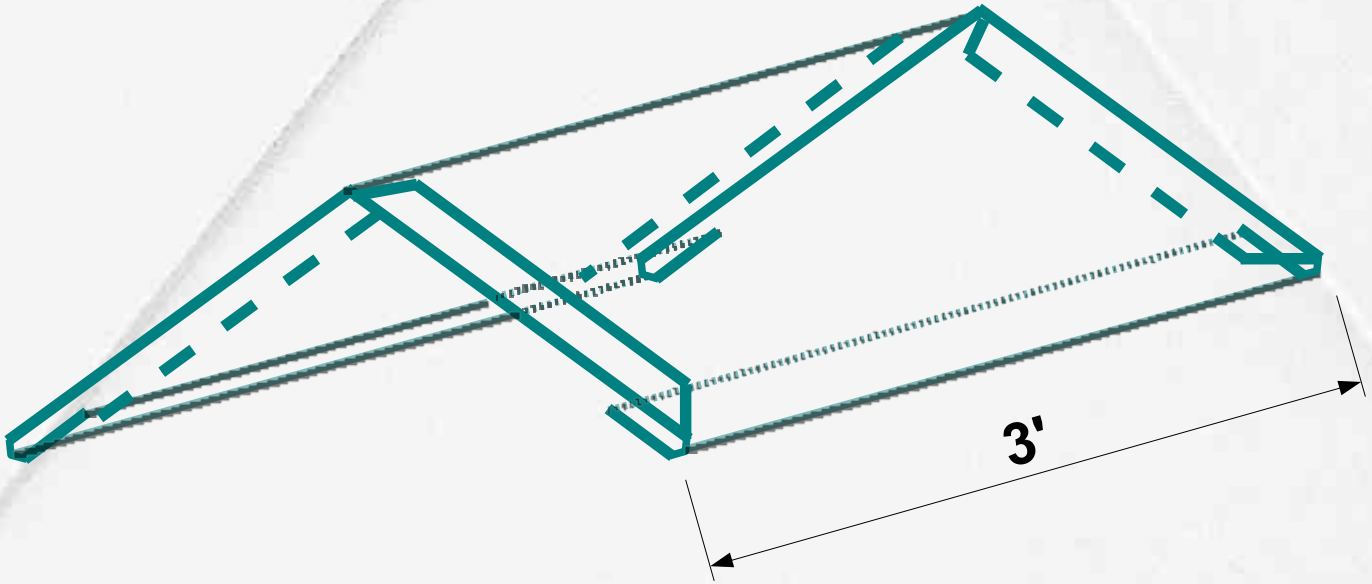
### Unvented ridge cap



### Vented ridge cap



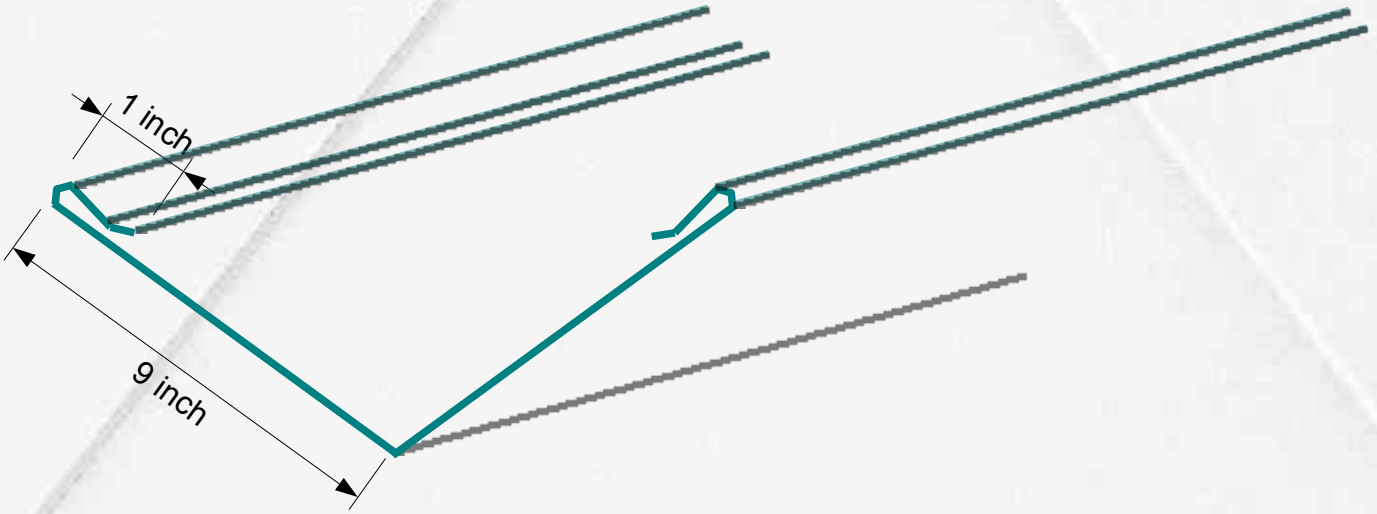
## Slate style ridge/hip cap



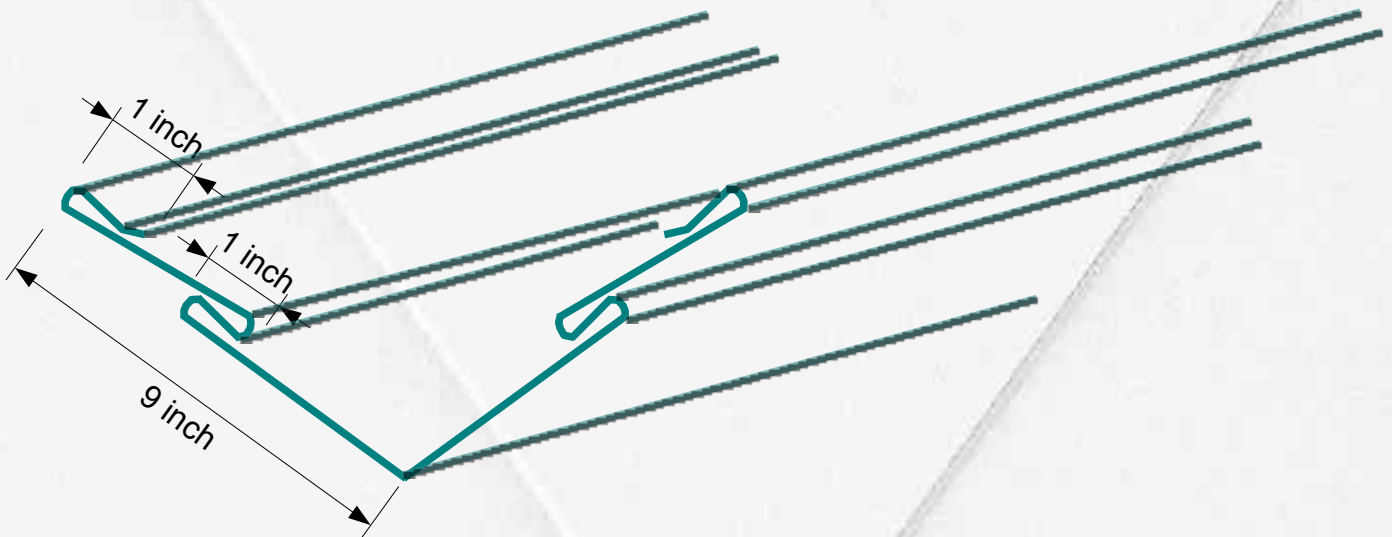
- Ridge/hip cap comes with fasteners

# Available roof flashings.

## Smooth valley flashing



## Low pitch valley flashing



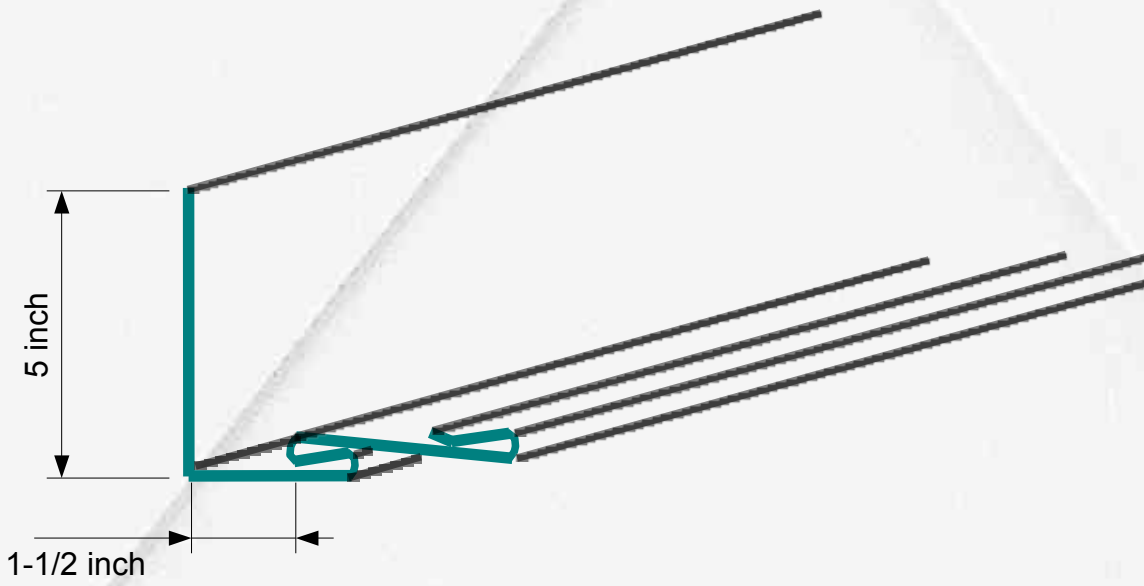
## Complete chimney or skylight flashing



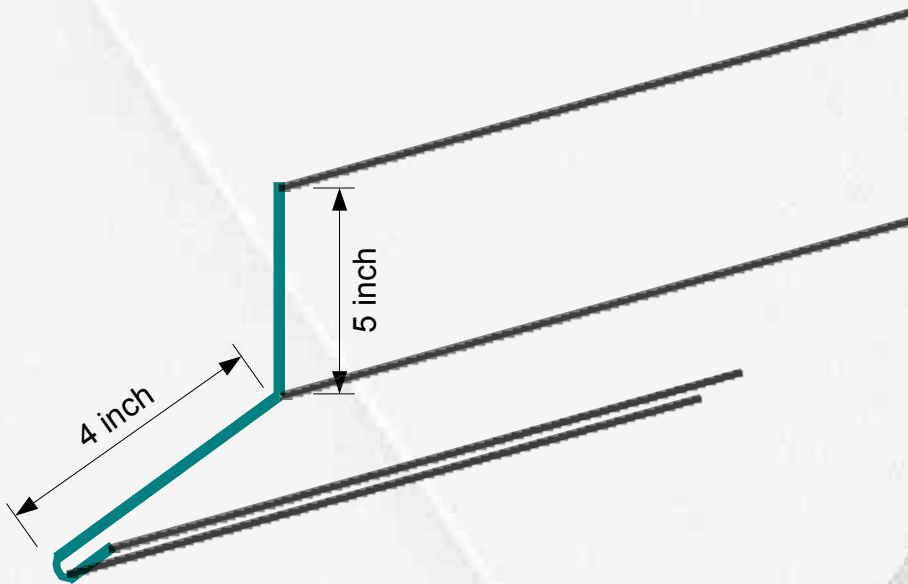
**Please define when ordering:**

- chimney/skylight width
- chimney/skylight length
- skylight height above roof
- roof pitch

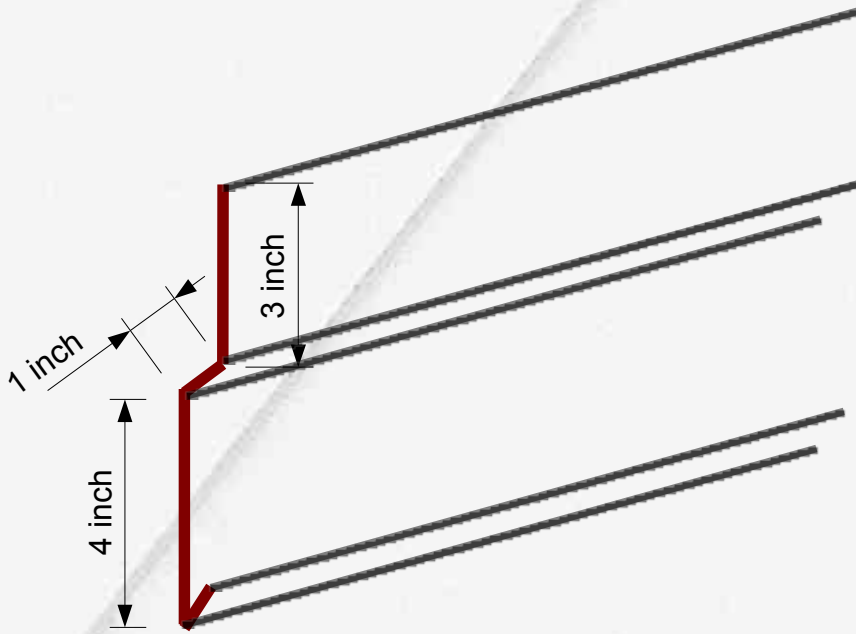
## Wall SIDE-flashing



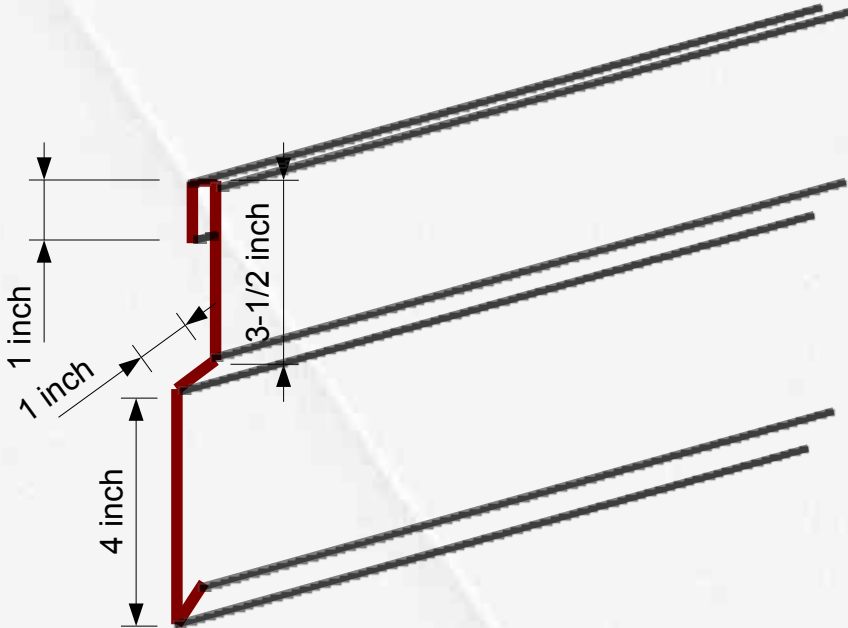
## Wall FRONT-flashing



## Counter flashing

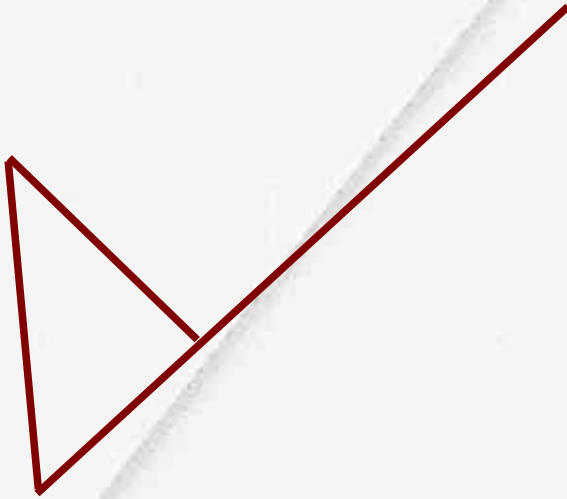


## Counter flashing with a hem

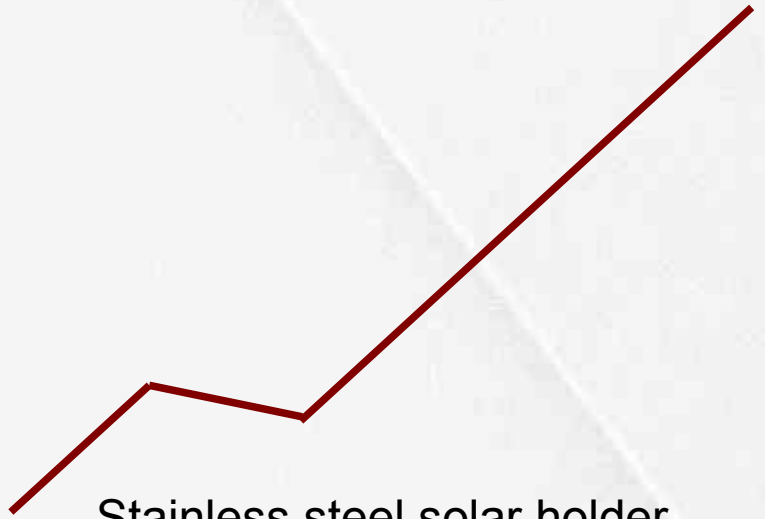




# Available roof accessories



- Snow hooks

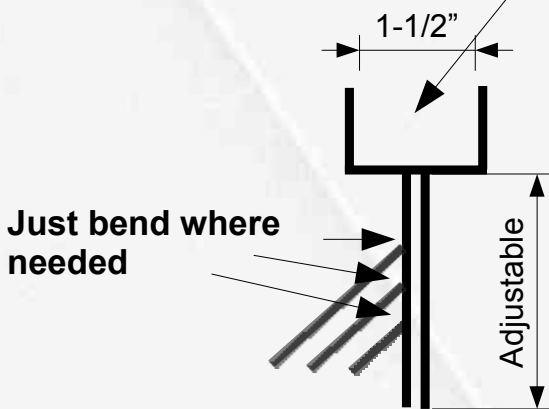


- Stainless steel solar holder

---

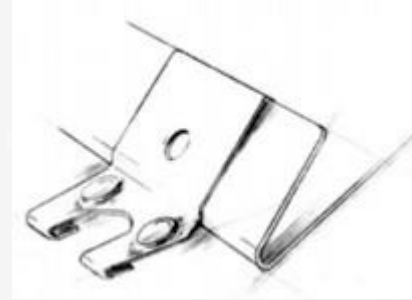
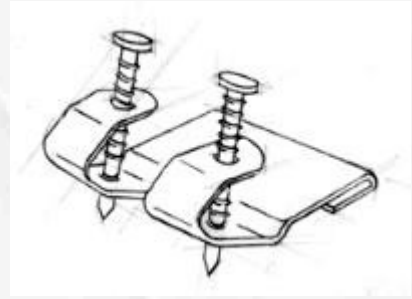
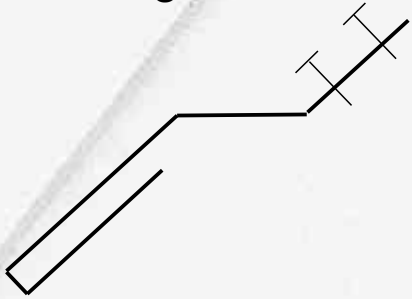
- Ridge/hip holder

A wooden 2 by 2 fits into the holder



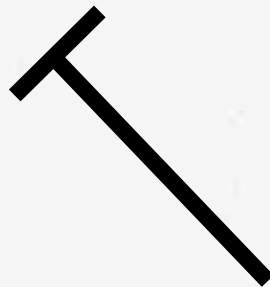
**Available roof fasteners.**

Stainless steel roofing clips  
with integrated stainless steel nails (2)



---

Stainless steel roofing nails with  
ring shank.





# FINE METAL ROOF TECH



[www.finemetalrooftech.com](http://www.finemetalrooftech.com)

If you have any questions, please call 801-648-9274.

Email: [sales@finemetalrooftech.com](mailto:sales@finemetalrooftech.com)  
[support@finemetalrooftech.com](mailto:support@finemetalrooftech.com)

---

Your local distributor: